

ELECTROSURGICAL
INSTRUMENTS CATALOG



CE
0120



SGS



TECNO
Instruments

HIGH FREQUENCY INNOVATION

OPHTHALMIC BIPOLAR FORCEPS

HIGH FREQUENCY INNOVATION



McPHERSON
(STR.)
110-100



COAPTATION
110-130



McPHERSON
(CRV.)
110-110



IRIS (STR.)
110-180



COAPTATION
NADLER
110-120



IRIS (CRV.)
110-190

OPHTHALMIC BIPOLAR FORCEPS



JEWELER #5
110-140



TENZEL
110-160



JEWELER #4
110-150



JEWELER #7
110-170



NEEDLE 0.5mm 0.7mm 1.0mm 1.5mm 2.0mm
Available Tip Widths Always Specify Tip Width

For your convenience, add the following tip extension to product code.
Needle Tip (-00), 0.5 mm (-05), 1.0 mm (-10) and 2.0 mm (-20)

PLASTIC & RECONSTRUCTIVE FORCEPS



ADSON
110-200



CUSHING
110-235



SEMKIN
110-220



CUSHING (GURSH)
110-240



CUSHING
110-230

For your convenience, add the following tip extension to product code.
Needle Tip (-00), 0.5 mm (-05), 1.0 mm (-10) and 2.0 mm (-20)

PLASTIC & RECONSTRUCTIVE FORCEPS



GERALD (STR.)
110-300



GERALD (CRV.)
110-310



GERALD BAYONET
110-320

For your convenience, add the following tip extension to product code.
Needle Tip (-00), 0.5 mm (-05), 1.0 mm (-10) and 2.0 mm (-20)

NEUROSURGICAL BIPOLAR FORCEPS



JANSEN BAYONET
110-350



JANSEN BAYONET
110-360



MALIS
110-400



SCOVILLE GREENWOOD
110-430



YASARGIL
110-440



HARDY BAYONET
110-460



HARDY BAYONET
(ANGLED)
110-470

For your convenience, add the following tip extension to product code.
Needle Tip (-00), 0.5 mm (-05), 1.0 mm (-10) and 2.0 mm (-20)

MONOPOLAR FORCEPS



JEWELER # 4
110-500



JEWELER # 7
110-510



ADSON
110-520



POTTS-SMITH
110-530



POTTS-SMITH
110-540



MALIS
110-555

For your convenience, add the following tip extension to product code.
Needle Tip (-00), 0.5 mm (-05), 1.0 mm (-10) and 2.0 mm (-20)

MONOPOLAR FORCEPS



JANSEN BAYONET
110-580



JANSEN BAYONET (ANGLED UP)
110-582

For your convenience, add the following tip extension to product code.
Needle Tip (-00), 0.5 mm (-05), 1.0 mm (-10) and 2.0 mm (-20)

NON-STICK BIPOLAR FORCEPS



McPHERSON (STR.)
110-100 NS



ADSON
110-200 NS



McPHERSON (CRV.)
110-110 NS



SEMKIN
110-220 NS



JEWELER #5
110-140 NS



CUSHING
110-230 NS



JEWELER #4
110-150 NS



CUSHING
110-235 NS

HIGH FREQUENCY INNOVATION

No more undesirable tissue sticking during coagulation procedure. Thanks to TECNO new **Ag-Tech** non-stick technology, the forceps stay clean- virtually eliminating the need for cleaning during coagulation. By applying a material with excellent thermal properties for the tips which prevents the sticking of tissues, the non stick effect is permanent and will not reduce with the use of forceps.



NON-STICK BIPOLAR FORCEPS



GERALD BAYONET
110-320 NS



YASARGIL
110-440 NS



JANSEN BAYONET
110-360 NS



HARDY BAYONET
110-460 NS



SCOVILLE-GREENWOOD
110-430 NS

More designs are available in Non-Stick Bipolar Forceps. Use "NS" extension to any regular Bipolar Forceps for conversion into Non-Stick Bipolar Forceps. Available tip size 0.7mm, 1.0mm, 1.5mm and 2.0mm.

BIPOLAR HAND-SWITCH FORCEPS

HIGH FREQUENCY INNOVATION



JEWELER #4
110-150 HS



JANSEN BAYONET
110-370 HS



SEMKIN
110-220 HS



SCOVILLE-GREENWOOD
110-430 HS



3 PIN CONNECTOR

More Bipolar Hand-switch forceps are available. Use "HS" extension to any regular bipolar forceps.

IRRIGATION BIPOLAR FORCEPS

HIGH FREQUENCY INNOVATION



CUSHING
110-230 IR



SCOVILLE-GREENWOOD
110-430 IR



GERALD BAYONET
110-320 IR



HARDY BAYONET
110-460 IR

More Bipolar Irrigation forceps are available.
Use "IR" extension to any regular bipolar forceps.



JANSEN BAYONET
110-370 IR

MONOPOLAR HAND-SWITCH FORCEPS



JANSEN BAYONET
110-560 HS



JANSEN BAYONET
110-580 HS



POTTS-SMITH
110-540 HS



POTTS-SMITH
110-550 HS

EUROPEAN BIPOLAR FORCEPS

HIGH FREQUENCY INNOVATION



McPHERSON
310-100



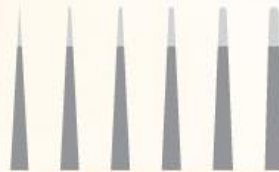
JEWELER #5 (ANGLED)
310-112



McPHERSON (ANGLED)
310-102



JEWELER #7
310-115



NEEDLE 0.5mm 0.7mm 1.0mm 1.5mm 2.0mm
Available Tip Widths Always Specify Tip Width

For your convenience, add the following tip extension to product code.

Needle Tip (-00), 0.5 mm (-05), 1.0 mm (-10) and 2.0 mm (-20)



JEWELER #5
310-110



ADSON
310-300

EUROPEAN BIPOLAR FORCEPS

For your convenience, add the following tip extension to product code.
Needle Tip (-00), 0.5 mm (-05), 1.0 mm (-10) and 2.0 mm (-20)

HIGH FREQUENCY INNOVATION



STRAIGHT
310-120



STRAIGHT (ANGLED)
310-122



STRAIGHT
310-130



STRAIGHT (ANGLED)
310-132



STRAIGHT
310-140



STRAIGHT (ANGLED)
310-142



STRAIGHT
310-150



STRAIGHT (ANGLED)
310-152

EUROPEAN BIPOLAR FORCEPS

HIGH FREQUENCY INNOVATION



BAYONET
310-180



BAYONET
310-170



BAYONET
310-180



BAYONET (ANGLED UP)
310-182



BAYONET (ANGLED UP)
310-172



BAYONET (ANGLED UP)
310-182



BAYONET (ANGLED DOWN)
310-165



BAYONET (ANGLED DOWN)
310-175



BAYONET (ANGLED DOWN)
310-185

For your convenience, add the following tip extension to product code.
Needle Tip (-00), 0.5 mm (-05), 1.0 mm (-10) and 2.0 mm (-20)

EUROPEAN NON-STICK BIPOLAR FORCEPS

HIGH FREQUENCY INNOVATION



McPHERSON
310-100 NS



McPHERSON (ANGLED)
310-102 NS



JEWELER #5
310-110 NS



JEWELER #5 (ANGLED)
310-112 NS



ADSON
310-300 NS

No more undesirable tissue sticking during coagulation procedure. Thanks to **TECNO** new **Ag-Tech** non-stick technology, the forceps stay clean virtually eliminating the need for cleaning during coagulation. By applying a material with excellent thermal properties for the tips which prevents the sticking of tissues, the non-stick effect is permanent and will not reduce with the use of forceps.



More designs are available in Non-Stick Bipolar Forceps.
Use "NS" extension to any regular Bipolar Forceps for conversion into Non-Stick Bipolar Forceps.
Available tip size
0.7mm, 1.0mm, 1.5mm and 2.0mm.

EUROPEAN NON-STICK BIPOLAR FORCEPS



STRAIGHT
310-120 NS



STRAIGHT
310-130 NS



STRAIGHT
310-140 NS



STRAIGHT
310-150 NS

HIGH FREQUENCY INNOVATION



BAYONET
310-160 NS



BAYONET
310-170 NS



BAYONET
310-180 NS



BAYONET
310-190 NS

More designs are available in Non-Stick Bipolar Forceps. Use "NS" extension to any regular Bipolar Forceps for conversion into Non-Stick Bipolar Forceps. Available tip size 0.7mm, 1.0mm, 1.5mm and 2.0mm.

EUROPEAN IRRIGATION BIPOLAR FORCEPS



BAYONET
310-160-IR



BAYONET
310-180-IR



BAYONET
310-150-IR

HIGH FREQUENCY INNOVATION



BAYONET
310-120-IR

Any European Bipolar Forceps can be converted into "Irrigation Bipolar Forceps" as shown in previous pages. Add extension "IR" at the end.

EUROPEAN BIPOLAR FORCEPS



STRAIGHT
610-120



STRAIGHT
610-130



STRAIGHT
610-140 NS



STRAIGHT
610-150



STRAIGHT (ANGLED)
610-122



STRAIGHT (ANGLED)
610-132



STRAIGHT (ANGLED)
310-142



STRAIGHT (ANGLED)
610-152

EUROPEAN BIPOLAR FORCEPS



BAYONET
610-160



BAYONET
610-170



BAYONET
610-180



BAYONET
610-190



BAYONET (ANGLED UP)
610-182



BAYONET (ANGLED UP)
610-192



BAYONET (ANGLED DOWN)
310-185



BAYONET (ANGLED DOWN)
610-195



SILICONE EUROPEAN BIPOLAR CABLE
190-310



DISPOSABLE MOLDED BIPOLAR FORCEPS



JEWELER #5
215-140



JANSEN BAYONET
215-370



JEWELER #5 ANGLED
215-145



DISPOSABLE BIPOLAR C
190-100 D



CUSHING
215-245

DISPOSABLE BIPOLAR FORCEPS



GERALD (Str)
210-300



JEWELER #5
210-140



JANSEN BAYONET
(IRRIGATION)
210-360 IR



ADSON
210-200

Forceps are supplied with 3m cable.
Available in Sterile/Non-Sterile packaging.
Sterilization by Ethylene Oxide (EO).



JANSEN BAYONET
210-370

More designs are available in Disposable Bipolar Forceps. Use 210-Series with any regular Bipolar Forceps for conversion into Disposable Bipolar Forceps.

DISPOSABLE BIPOLAR FORCEPS



JEWELER #5
410-110



STRAIGHT FORCEPS
410-140



BAYONET FORCEPS
410-180



STRAIGHT FORCEPS
(Disposable without cable)
510-140



STRAIGHT ANG
(Disposable without cable)
510-142



DISPOSABLE BIPOLAR CABLE
190-100 D

Forceps are supplied with 3m cable.
Available in Sterile/Non-Sterile packaging.
Sterilization by Ethylene Oxide (EO).

More designs are available in Disposable Bipolar Forceps.
Use 410-Series with any regular Bipolar Forceps for conversion into Disposable Bipolar Forceps.

DIATHERMY INSTRUMENTS



TUNER WARWICK (STR.)
320-200



TUNER WARWICK (CRV.)
320-202



SURGICAL SCISSORS (STR.)
320-220



SURGICAL SCISSORS (CRV.)
320-222



ABBIEY NEEDLE (17.5 cm)
320-190



WILSON HEY FORCEPS (STR.)
320-240



WILSON HEY FORCEPS (CRV.)
320-242



ARTERY FORCEPS (STR.)
320-260



ARTERY FORCEPS (CRV.)
320-262



RICHE FORCEPS (Str.)
320-290

DIATHERMY INSTRUMENTS



ADSON
320-100



McINDOE
320-110



GILLIES
320-120



DISSECTING
320-130



GERALD (1x2)
320-140



ADSON BAYONET
320-150



ADSON BAYONET (ANG. UP)
320-160



REMINGTON HOBBS
320-170

BIPOLAR ARTERY SEALER



ARTERY SEALER
110-750



ARTERY SEALER
(NON-STICK)
110-750 NS



ARTERY SEALER
110-764



ARTERY SEALER
110-760



DETACHABLE CONNECTING CABLE
190-180

BIPOLAR SCISSORS

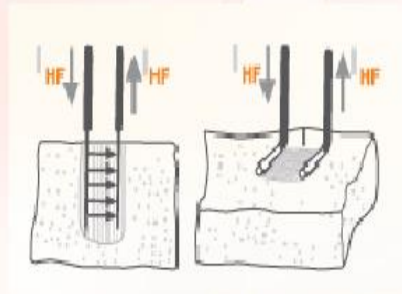


ETHICON BIPOLAR CABLE
190-185



BIPOLAR SCISSORS (CRV)
110-815-18 SIZE 18 CM

BIPOLAR ELECTRODES



BI-TURBinate PROBE (17.5 cm)
110-700

STRAIGHT
310-500

ANGLED
(Upward Tip)
310-570

ANGLED
310-540

ANGLED 45°
310-590

ANGLED 90°
310-600

BIPOLAR ELECTRODES

SINGLE USE



STRAIGHT
510-500



ANGLED
(Upward Tip)
510-570



ANGLED
510-540



ANGLED 45°
510-590



ANGLED 90°
510-600

BIPOLAR CABLES



SILICONE BIPOLAR CABLE 10' (3.0 M)
190-100
Instrument Connector: USA 2-Pin Plug
Generator Connector: 4mm Banana Plug
Compatibility: Valleylab, Conned, Codman, Olympus
& Most Bipolar Generator



SILICONE EUROPEAN BIPOLAR CABLE 10' (3.0 M)
190-120
Instrument Connector: European Flat Plug
Generator Connector: Martin Type
Compatibility: Aesculap, Martin, Berchold, Wolf



SILICONE EUROPEAN BIPOLAR CABLE 10' (3.0 M)
190-140
Instrument Connector: European Flat Plug
Generator Connector: Erbe Type
Compatibility: Erbe, Downs, Siemens



SILICONE EUROPEAN BIPOLAR CABLE 10' (3.0 M)
190-110
Instrument Connector: European Flat Plug
Generator Connector: 4mm Banana Plug
Compatibility: Valleylab, Conned, Codman, Olympus
& Most Bipolar Generator



SILICONE BIPOLAR CABLE 10' (3.0 M)
190-130
Instrument Connector: USA 2-Pin Plug
Generator Connector: Martin Type
Compatibility: Aesculap, Martin, Berchold, Wolf



SILICONE EUROPEAN BIPOLAR CABLE 10' (3.0 M)
190-310
Instrument Connector: Aesculap
Generator Connector: 4MM Banana Plug
Compatibility: Aesculap, Valleylab, Conned, Codman,
& Most Bipolar Generator

BIPOLAR CABLES



SILICONE BIPOLAR CABLE 10' (3.0 M)
190-150
Instrument Connector: USA 2-Pin Plug
Generator Connector: Erbe Type
Compatibility: Erbe, Downs, Siemens



SILICONE EUROPEAN BIPOLAR CABLE 10' (3.0 M)
190-160
Instrument Connector: European Flat Plug
Generator Connector: Pin Distance 29mm
Compatibility: Valleylab, EMC, Dolye



SILICONE BIPOLAR CABLE 10' (3.0 M)
190-170
Instrument Connector: USA 2-Pin Plug
Generator Connector: Pin Distance 29mm
Compatibility: Valleylab, EMC, Dolye



SILICONE BIPOLAR CABLE 10' (3.0 M)
190-180
Instrument Connector: Bipolar Artery Sealer
Generator Connector: 4mm Banana Plug
Compatibility: Valleylab, Conmed, Cookman, Olympus
& Most Bipolar Generator



SILICONE BIPOLAR CABLE 10' (3.0 M)
190-185
Instrument Connector: Ethicon
Generator Connector: 4mm Banana Plug
Compatibility: Valleylab, Conmed, Cookman, Olympus
& Most Bipolar Generator

MONOPOLAR CABLES



SILICONE MONOPOLAR CABLE 10' (3.0 M)
190-230
Instrument Connector: Screw Type
Generator Connector: Standard Bovie® 8mm Plug
Compatibility: Valleylab, Conmed, Bovie®



SILICONE MONOPOLAR ENDOSCOPIC CABLE 10' (3.0 M)
190-240
Instrument Connector: 4mm Female Fitting
Generator Connector: Standard Bovie® 8mm Plug
Compatibility: Valleylab, Conmed, Bovie®



SILICONE MONOPOLAR ENDOSCOPIC CABLE 10' (3.0 M)
190-250
Instrument Connector: 4mm Female Fitting
Generator Connector: Standard 4mm Banana Plug
Compatibility: Most ES Generators



SILICONE DIATHERMY CABLE 10' (3.0 M)
190-260
Instrument Connector: 4mm Male Fitting (European Diathermy)
Generator Connector: Standard 4mm Banana Plug
Compatibility: Most ES Generators



SILICONE DIATHERMY CABLE 10' (3.0 M)
190-270
Instrument Connector: 4.8mm Female Fitting(English Diathermy)
Generator Connector: Standard Bovie® 8mm Plug
Compatibility: Valleylab, Conmed, Bovie®



SILICONE DIATHERMY CABLE 10' (3.0 M)
190-280
Instrument Connector: 4.8mm Female Fitting(English Diathermy)
Generator Connector: Standard 4mm Banana Plug
Compatibility: Most ES Generators

ELECTRODES (2.4mm)

BLADE ELECTRODE

Disposable: 150-110, Reusable: 152-110



BLADE ELECTRODE (CRV.)

Disposable: 150-112, Reusable: 152-112



NEEDLE ELECTRODE

Disposable: 150-120, Reusable: 152-120



NEEDLE ELECTRODE (CRV.)

Disposable: 150-122, Reusable: 152-122



BALL ELECTRODE (2mm)

Disposable: 150-130, Reusable: 152-130



BALL ELECTRODE CRV. (2mm)

Disposable: 150-132, Reusable: 152-132



BALL ELECTRODE (3mm)

Disposable 150-140, Reusable 152-140



BALL ELECTRODE CRV. (3mm)

Disposable: 150-142, Reusable: 152-142



BALL ELECTRODE (4mm)

Disposable: 150-150, Reusable: 152-150



BALL ELECTRODE CRV. (4mm)

Disposable: 150-152, Reusable: 152-152



BALL ELECTRODE (5mm)

Disposable: 150-160, Reusable: 152-160



BALL ELECTRODE CRV. (5mm)

Disposable: 150-162, Reusable: 152-162



BLADE ELECTRODE (Shaft 13.0cm)

Disposable: 150-115, Reusable: 152-115



NEEDLE ELECTRODE (Shaft 13.0cm)

Disposable: 150-125, Reusable: 152-125



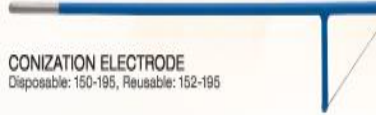
BALL ELECTRODE 3mm (Shaft 13.0cm)

Disposable: 150-145, Reusable: 152-145



BALL ELECTRODE 5mm (Shaft 13.0cm)

Disposable: 150-165, Reusable: 152-165



CONIZATION ELECTRODE

Disposable: 150-195, Reusable: 152-195

CIRCLE LOOP ELECTRODE (4.0mm)

Reusable: 152-510



CIRCLE LOOP ELECTRODE (6.0mm)

Reusable: 152-520



CIRCLE LOOP ELECTRODE (8.0mm)

Reusable: 152-530



DIAMOND ELECTRODE

Reusable: 152-540



FINE NEEDLE ELECTRODE

Reusable: 152-550



TIP CLEANER 150-109



HOLSTER 150-108

ELECTRODES NON-STICK

(2.4mm)



BLADE ELECTRODE Size (6cm)

Disposable 150-110-06 NS



BLADE ELECTRODE Size (7cm)

Disposable 150-110-07 NS



BLADE ELECTRODE Size (10cm)

Disposable 150-110-10 NS



BLADE ELECTRODE Size (16cm)

Disposable 150-110-16 NS



NEEDLE ELECTRODE Size (7cm)

Disposable 150-120-07 NS



NEEDLE ELECTRODE Size (10cm)

Disposable 150-120-10 NS



NEEDLE ELECTRODE Size (15cm)

Disposable 150-120-15 NS



BALL ELECTRODE Size (5cm)

Disposable 151-160-05 NS



BLADE ELECTRODE Size (6cm)

Disposable 151-110-06 NS



BLADE ELECTRODE Size (7cm)

Disposable 151-110-07 NS



BLADE ELECTRODE Size (10cm)

Disposable 151-110-10 NS



BLADE ELECTRODE Size (16cm)

Disposable 151-110-16 NS



NEEDLE ELECTRODE Size (7cm)

Disposable 151-120-07 NS



NEEDLE ELECTRODE Size (10cm)

Disposable 151-120-10 NS



NEEDLE ELECTRODE Size (15cm)

Disposable 151-120-15 NS



BALL ELECTRODE Size (13cm)

Disposable 151-160-13 NS

TUNGSTEN NEEDLE ELECTRODES

(2.4mm)



MICRO NEEDLE ELECTRODE Size (5cm)
(Reusable) 172-120-05



MICRO NEEDLE ELECTRODE Size (6cm)
(Reusable) 172-120-06



MICRO NEEDLE ELECTRODE Size (7cm)
(Reusable) 172-120-07



MICRO NEEDLE ELECTRODE Size (9cm)
(Reusable) 172-120-09



MICRO NEEDLE ELECTRODE Size (12cm)
(Reusable) 172-120-12



MICRO NEEDLE ELECTRODE Size (15cm)
(Reusable) 172-120-15



MICRO NEEDLE ELECTRODE ANG. Size (5cm)
(Reusable) 172-122-05



MICRO NEEDLE ELECTRODE ANG. Size (6cm)
(Reusable) 172-122-06



MICRO NEEDLE ELECTRODE ANG. Size (7cm)
(Reusable) 172-122-07



MICRO NEEDLE ELECTRODE ANG. Size (9cm)
(Reusable) 172-122-09



MICRO NEEDLE ELECTRODE ANG. Size (12cm)
(Reusable) 172-122-12



MICRO NEEDLE ELECTRODE ANG. Size (15cm)
(Reusable) 172-122-15

"Tungsten needles are widely used in a variety of surgical procedures like Plastic surgery, ENT surgery, Head & Neck surgery, Oral & Maxillofacial surgery. Tungsten has extremely high melting point (>3400°C) which helps maintain a sharpness compared to stainless steel tips that dull rapidly."

LOOP ELECTRODES (2.4mm)



Size	1.0X0.4 cm	1.0X0.5 cm	1.0X0.7 cm	1.0X0.8 cm	1.0X1.0 cm
Disposable	150-170-04	150-170-05	150-170-07	150-170-08	150-170-10
Reusable	152-170-04	152-170-05	152-170-07	152-170-08	152-170-10



Size	1.0X0.5 cm	1.0X0.7 cm	1.0X0.8 cm	1.0X1.0 cm	1.0X1.5 cm
Disposable	150-175-05	150-175-07	150-175-08	150-175-10	150-175-15
Reusable	152-175-05	152-175-07	152-175-08	152-175-10	152-175-15



Size	1.5X0.5 cm	1.5X0.7 cm	1.5X0.8 cm	1.5X1.0 cm	1.5X1.2 cm	1.5X1.5 cm
Disposable	150-180-05	150-180-07	150-180-08	150-180-10	150-180-12	150-180-15
Reusable	152-180-05	152-180-07	152-180-08	152-180-10	152-180-12	152-180-15



Size	2.0X0.8 cm	2.0X1.0 cm	2.0X1.2 cm	2.0X1.3 cm	2.0X1.5 cm	2.0X2.0 cm
Disposable	150-190-08	150-190-10	150-190-12	150-190-13	150-190-15	150-190-20
Reusable	152-190-08	152-190-10	152-190-12	152-190-13	152-190-15	152-190-20

LOOP ELECTRODES (2.4mm)



Size	1.0X0.4 cm	1.0X0.5 cm	1.0X0.7 cm	1.0X0.8 cm	1.0X1.0 cm
Disposable	155-170-04	155-170-05	155-170-07	155-170-08	155-170-10
Reusable	157-170-04	157-170-05	157-170-07	157-170-08	157-170-10



Size	1.5X0.5 cm	1.5X0.7 cm	1.5X0.8 cm	1.5X1.0 cm	1.5X1.2 cm	1.5X1.5 cm
Disposable	155-180-05	155-180-07	155-180-08	155-180-10	155-180-12	155-180-15
Reusable	157-180-05	157-180-07	157-180-08	157-180-10	157-180-12	157-180-15

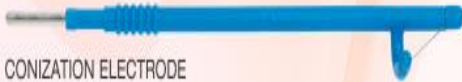


Size	1.0X0.5 cm	1.0X0.7 cm	1.0X0.8 cm	1.0X1.0 cm
Disposable	155-175-05	155-175-07	155-175-08	155-175-10
Reusable	157-175-05	157-175-07	157-175-08	157-175-10



Size	2.0X0.8 cm	2.0X1.0 cm	2.0X1.2 cm	2.0X1.3 cm	2.0X1.5 cm	2.0X2.0 cm
Disposable	155-190-08	155-190-10	155-190-12	155-190-13	155-190-15	155-190-20
Reusable	157-190-08	157-190-10	157-190-12	157-190-13	157-190-15	157-198-20

CONIZATION ELECTRODES



CONIZATION ELECTRODE
(Small) 150-195-08



CONIZATION ELECTRODE
(LARGE Shallow) 150-198-14



CONIZATION ELECTRODE
(Medium) 150-195-11



ELECTRODE EXTENDER Size (7cm)
(Reusable) 152-410-07



CONIZATION ELECTRODE
(Large) 150-195-13



ELECTRODE EXTENDER Size (13cm)
(Reusable) 152-410-13


























CONIZATION ELECTRODE
(Medium Extended) 150-198-11









































































ELECTRODE EXTENDER Size (18cm)
(Reusable) 152-410-18

ELECTRODES (4.0mm)

 BLADE ELECTRODE Reusable 162-110	 BALL ELECTRODE (3mm) Reusable 162-140	 BLADE ELECTRODE (Shaft 13.0 cm) Reusable 162-115	 ROUND LOOP ELECTRODE (7.0cm) 4.0mm Reusable 162-510-04
 BLADE ELECTRODE (CRV.) Reusable 162-112	 BALL ELECTRODE (CRV.) (3mm) Reusable 162-142	 NEEDLE ELECTRODE (Shaft 13.0 cm) Reusable 162-125	 ROUND LOOP ELECTRODE (7.0cm) 6.0mm Reusable 162-510-06
 NEEDLE ELECTRODE Reusable 162-120	 BALL ELECTRODE (4mm) Reusable 162-150	 BALL ELECTRODE 3mm (Shaft 13.0 cm) Reusable 162-145	 ROUND LOOP ELECTRODE (7.0cm) 8.0mm Reusable 162-510-08
 NEEDLE ELECTRODE (CRV.) Reusable 162-122	 BALL ELECTRODE (CRV.) (4mm) Reusable 162-152	 BALL ELECTRODE 4mm (Shaft 13.0 cm) Reusable 162-155	 ROUND LOOP ELECTRODE (7.0cm) 10.0mm Reusable 162-510-10
 BALL ELECTRODE (2mm) Reusable 162-130	 BALL ELECTRODE (5mm) Reusable 162-160	 BALL ELECTRODE 5mm (Shaft 13.0 cm) Reusable 162-165	 PLATE ELECTRODE SMALL Reusable 162-560
 BALL ELECTRODE (CRV.) (2mm) Reusable 162-132	 BALL ELECTRODE (CRV.) (5mm) Reusable 162-162		 PLATE ELECTRODE LARGE Reusable 162-570

LOOP ELECTRODES (4.0mm)

																																						
<table border="1"> <tr> <td></td> <td></td> <td></td> <td></td> <td></td> </tr> <tr> <td>Size</td> <td>1.0X0.4 cm</td> <td>1.0X0.5 cm</td> <td>1.0X0.7 cm</td> <td>1.0X0.8 cm</td> <td>1.0X1.0 cm</td> </tr> <tr> <td>Reusable</td> <td>162-170-04</td> <td>162-170-05</td> <td>162-170-07</td> <td>162-170-08</td> <td>162-170-10</td> </tr> </table>						Size	1.0X0.4 cm	1.0X0.5 cm	1.0X0.7 cm	1.0X0.8 cm	1.0X1.0 cm	Reusable	162-170-04	162-170-05	162-170-07	162-170-08	162-170-10	<table border="1"> <tr> <td></td> <td></td> <td></td> <td></td> <td></td> <td></td> </tr> <tr> <td>Size</td> <td>1.5X0.5 cm</td> <td>1.5X0.7 cm</td> <td>1.5X0.8 cm</td> <td>1.5X1.0 cm</td> <td>1.5X1.2 cm</td> <td>1.5X1.5 cm</td> </tr> <tr> <td>Reusable</td> <td>162-180-05</td> <td>162-180-07</td> <td>162-180-08</td> <td>162-180-10</td> <td>162-180-12</td> <td>162-180-15</td> </tr> </table>							Size	1.5X0.5 cm	1.5X0.7 cm	1.5X0.8 cm	1.5X1.0 cm	1.5X1.2 cm	1.5X1.5 cm	Reusable	162-180-05	162-180-07	162-180-08	162-180-10	162-180-12	162-180-15
																																						
Size	1.0X0.4 cm	1.0X0.5 cm	1.0X0.7 cm	1.0X0.8 cm	1.0X1.0 cm																																	
Reusable	162-170-04	162-170-05	162-170-07	162-170-08	162-170-10																																	
																																						
Size	1.5X0.5 cm	1.5X0.7 cm	1.5X0.8 cm	1.5X1.0 cm	1.5X1.2 cm	1.5X1.5 cm																																
Reusable	162-180-05	162-180-07	162-180-08	162-180-10	162-180-12	162-180-15																																
																																						
<table border="1"> <tr> <td></td> <td></td> <td></td> <td></td> <td></td> </tr> <tr> <td>Size</td> <td>1.0X0.5 cm</td> <td>1.0X0.7 cm</td> <td>1.0X0.8 cm</td> <td>1.0X1.0 cm</td> <td>1.0X1.5 cm</td> </tr> <tr> <td>Reusable</td> <td>162-175-05</td> <td>162-175-07</td> <td>162-175-08</td> <td>162-175-10</td> <td>162-175-15</td> </tr> </table>						Size	1.0X0.5 cm	1.0X0.7 cm	1.0X0.8 cm	1.0X1.0 cm	1.0X1.5 cm	Reusable	162-175-05	162-175-07	162-175-08	162-175-10	162-175-15	<table border="1"> <tr> <td></td> <td></td> <td></td> <td></td> <td></td> <td></td> </tr> <tr> <td>Size</td> <td>2.0X0.8 cm</td> <td>2.0X1.0 cm</td> <td>2.0X1.2 cm</td> <td>2.0X1.3 cm</td> <td>2.0X1.5 cm</td> <td>2.0X2.0 cm</td> </tr> <tr> <td>Reusable</td> <td>162-190-08</td> <td>162-190-10</td> <td>162-190-12</td> <td>162-190-13</td> <td>162-190-15</td> <td>162-190-20</td> </tr> </table>							Size	2.0X0.8 cm	2.0X1.0 cm	2.0X1.2 cm	2.0X1.3 cm	2.0X1.5 cm	2.0X2.0 cm	Reusable	162-190-08	162-190-10	162-190-12	162-190-13	162-190-15	162-190-20
																																						
Size	1.0X0.5 cm	1.0X0.7 cm	1.0X0.8 cm	1.0X1.0 cm	1.0X1.5 cm																																	
Reusable	162-175-05	162-175-07	162-175-08	162-175-10	162-175-15																																	
																																						
Size	2.0X0.8 cm	2.0X1.0 cm	2.0X1.2 cm	2.0X1.3 cm	2.0X1.5 cm	2.0X2.0 cm																																
Reusable	162-190-08	162-190-10	162-190-12	162-190-13	162-190-15	162-190-20																																

PATIENT RETURN PLATE



PATIENT RETURN PLATE REUSABLE
150-640 (5m cable)

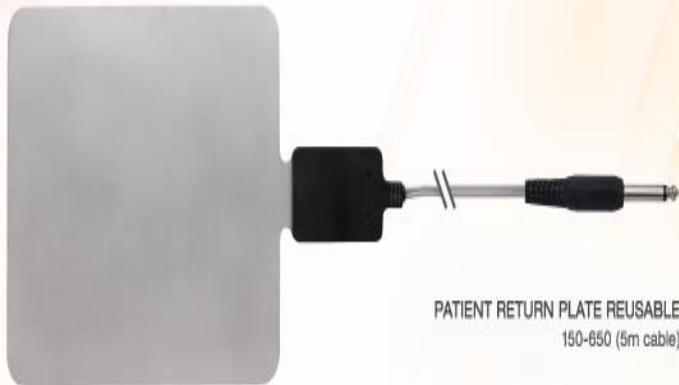


PATIENT RETURN CABLE
150-610 (5m cable)
150-612 (3m cable)

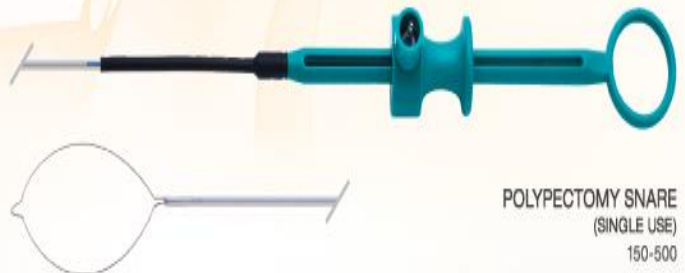
PATIENT RETURN CABLE
150-600 (5m cable)
150-602 (3m cable)



S.S Patient Return Plate (16x12 cm)
150-655

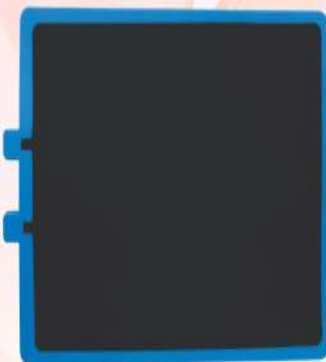


PATIENT RETURN PLATE REUSABLE
150-650 (5m cable)

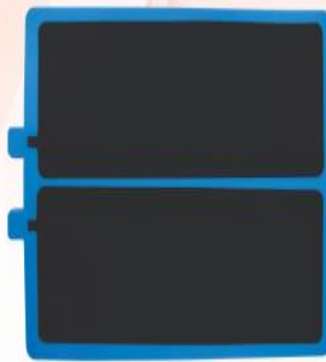


POLYPECTOMY SNARE
(SINGLE USE)
150-500

PATIENT RETURN PLATE SILICONE



MONOPOLAR
150-660



BIPOLAR
150-670



VALLEYLAB
190-305



ERBE
190-315



SILICONE RETURN PLATE
150-690 (5m cable)



SILICONE PATIENT RETURN
w/c (VALLEYLAB)
150-695 (5m cable)

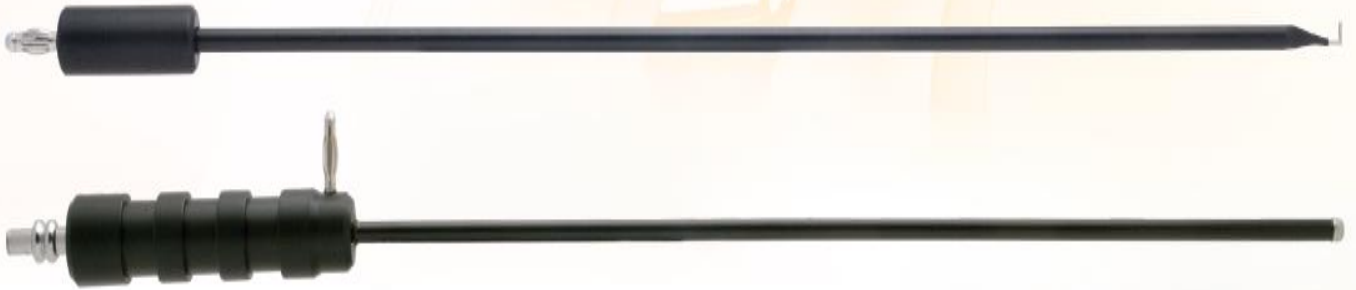
LAPAROSCOPIC ELECTRODES

WITHOUT SUCTION






- L-HOOK ELECTRODE (36cm)
150-200 
- J-HOOK ELECTRODE (36cm)
150-210 
- NEEDLE ELECTRODE (36cm)
150-220 
- SPATULA ELECTRODE (36cm)
150-230 
- BALL ELECTRODE (36cm)
150-240 

WITH SUCTION

- L-HOOK ELECTRODE (36cm)
150-205 
- J-HOOK ELECTRODE (36cm)
150-215 
- NEEDLE ELECTRODE (36cm)
150-225 
- SPATULA ELECTRODE (36cm)
150-235 
- BALL ELECTRODE (36cm)
150-245 



ARTHROSCOPIC ELECTRODES

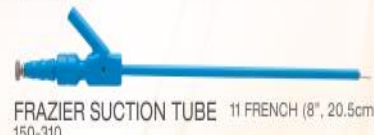
- DAGGER (12 cm)
150-260 
- DAGGER (18 cm)
150-265 
- HOOK (12 cm)
150-270 
- HOOK (18 cm)
150-275 
- HOCKEY (12 cm)
150-280 
- HOCKEY (18 cm)
150-285 



NASAL COAGULATION CANNULA
150-30-10(10cm) 150-360-26(26cm)



FRAZIER SUCTION TUBE 11 FRENCH (5", 13.5cm)
150-300



FRAZIER SUCTION TUBE 11 FRENCH (8", 20.5cm)
150-310



FRAZIER SUCTION TUBE 11 FRENCH (16", 40.6cm)
150-320



SUCTION COAGULATOR
150-350 (3m Cable)

ELECTROSURGICAL INSTRUMENTS FOR GYNECOLOGY



DISPOSABLE TUBE
LARGE 130-106-0T
MEDIUM 130-102-0T
SMALL 130-103-0T

GRAVES VAGINAL SPECULUM
WITH SMOKE EVACUATION TUBE

LARGE MEDIUM SMALL
130-100 130-102 130-103



DISPOSABLE TUBE
(GRAVES (MEDIUM))
130-106-0T
PEDERSON (MEDIUM)
130-115-0T

VU-MAX SPECULUM
WITH SMOKE EVACUATION TUBE

GRAVES (MEDIUM) PEDERSON (MEDIUM)
130-105 130-115



DISPOSABLE TUBE
LARGE 130-200-0T
MEDIUM 130-202-0T
SMALL 130-203-0T

PEDERSON VAGINAL SPECULUM
WITH SMOKE EVACUATION TUBE

LARGE MEDIUM SMALL
130-200 130-202 130-203



DISPOSABLE TUBE
LARGE 130-117-0T
MEDIUM 130-118-0T

VU-MORE (GRAVES) SPECULUM
WITH SMOKE EVACUATION TUBE

LARGE MEDIUM
130-117 130-118

ELECTROSURGICAL INSTRUMENTS FOR GYNECOLOGY



COLLIN SPECULUM
WITH SMOKE EVACUATION TUBE

LARGE MEDIUM SMALL
130-111 130-112 130-113



CUSCO SPECULUM
WITH SMOKE EVACUATION TUBE

LARGE MEDIUM SMALL
130-108 130-109 130-110



WEISMAN SPECULUM
LEFT OPEN

LARGE MEDIUM
130-220 130-224



WEISMAN SPECULUM
RIGHT OPEN

LARGE MEDIUM
130-221 130-225



DRESSING FORCEPS

130-180 (21 cm)
130-181 (25 cm)



TISSUE FORCEPS

130-185 (21 cm)
130-186 (25 cm)



IRIS HOOK (25 cm)

130-175



EMMET HOOK (25 cm)

130-170



STRAIGHT HOOK (25 cm)

130-178



TWO-PRONG HOOK (25 cm)

130-178



THREE-PRONG HOOK (25 cm)

130-179

ELECTROSURGICAL INSTRUMENTS FOR GYNECOLOGY



LATERAL VAGINAL
RETRACTOR 130-120



KOGAN ENDOCERVICAL
SPECULUM



LATERAL RETRACTOR
(WIDE OPEN) 130-122



RIGBY RETRACTOR
130-150



GELPI RETRACTOR
130-140



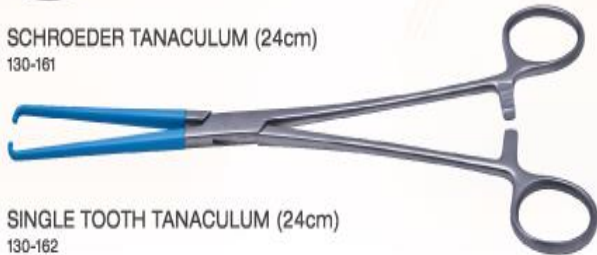
ELECTROSURGICAL INSTRUMENTS FOR GYNECOLOGY



SCHROEDER TANACULUM (24cm)
130-160



SCHROEDER TANACULUM (24cm)
130-161



SINGLE TOOTH TANACULUM (24cm)
130-162



CAMPION FORCEPS (22cm)
130-168



RING FORCEPS (22cm)
130-165

LASER SURGERY INSTRUMENTS FOR GYNECOLOGY



**KOGAN ENDOCERVICAL
SPECULUM**



**LATERAL VAGINAL
RETRACTOR**
140-120



**GRAVES VAGINAL SPECULUM
WITH SMOKE EVACUATION TUBE**
LARGE 140-100
MEDIUM 140-102
SMALL 140-103



**PEDERSON VAGINAL SPECULUM
WITH SMOKE EVACUATION TUBE**
LARGE 140-200
MEDIUM 140-202
SMALL 140-203



**COLLIN SPECULUM
WITH SMOKE EVACUATION TUBE**
LARGE 140-111
MEDIUM 140-112
SMALL 140-113



LASER SURGERY INSTRUMENTS FOR GYNECOLOGY



GELPI RETRACTOR
140-140



RIGBY RETRACTOR
140-150



SCHROEDER TENACULUM
140-160



IRIS HOOK
140-175



EMMETT HOOK
140-170



STRAIGHT HOOK
140-176



TWO-PRONG HOOK
140-178



THREE-PRONG HOOK
140-179